

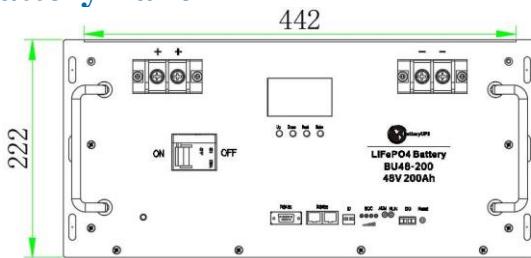
Overview

BU 48V200Ah lithium iron phosphate battery system serves for telecom and energy storage system with perfect compatibility and long cycle life

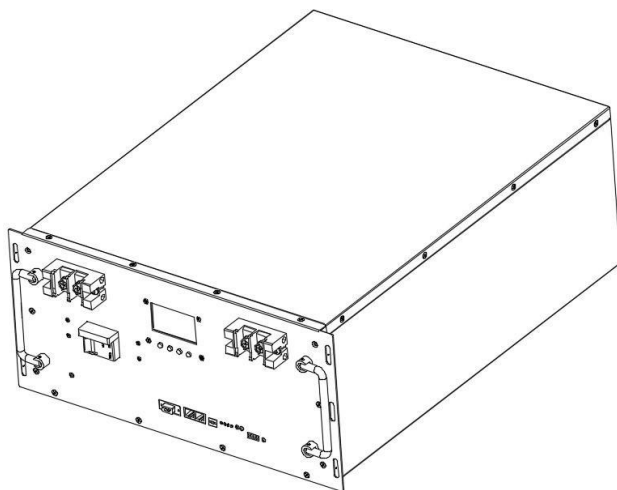
Features

- Built-in BMS with over-charge, over-discharge, over-temperature, over-current protection, etc. compatible with standard telecom and energy storage system
- SOC and SOH indication
- RS485 communication port
- Fast charging, charging rate available
- Good high temperature performance

Battery Panel



- 1、Earthing terminal
- 2、 Positive and negative
- 3、 communication interface (DB9-RS485)
- 4、 communication interface (RJ45-RS485)
- 5、 address number (ID)
- 6、 capacity (SOC)
- 7、 alarm light (ALM)
- 8、 run ling (RUN)
- 9、 DO port
- 10、 Reset system (Reset)
- 11、 switch (ON/OFF)



Battery specification

Nominal Characteristics

| | |
|-----------------------------------|------|
| Nominal Voltage /V | 48 |
| Nominal Capacity /Ah 35°C , 0.2C) | ≥200 |

Mechanical characteristics

| | |
|-------------------------|-------------------|
| Weight (approximate)/Kg | ≤85 |
| Dimension L*W*H /mm | 442mm*600mm*222mm |
| Terminal | M6 |

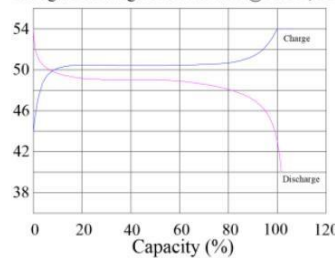
Electrical characteristics

| | |
|-----------------------------------|-------------|
| Voltage window/V | 42 to 52.8 |
| Float charge voltage/V | 51.8 |
| Max. continue charge current/A | 100 |
| Max. continue discharge current/A | 100 |
| Max. Pulse discharge current/A | 150A for 3S |
| Discharging Cut-off Voltage/V | 42 |

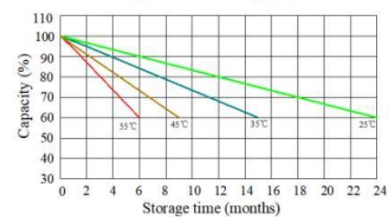
Operating conditions

| | |
|-------------------------------|--|
| Cycle life(+35°C 0.2C 80%DOD) | >3000 Cycles |
| Operating temperature | Discharge -20°C to 55°C; Charge 0°C to 45°C |
| Storage temperature | 0 to 30°C |
| Storage duration | 12 months at 25°C |
| Safety standard | UN38.3, GB-EMC |

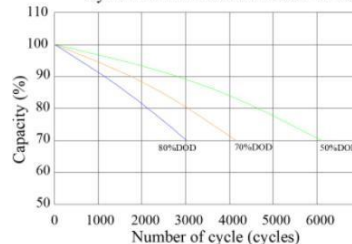
Charge/Discharge Performance @0.25C, 35°C



Self-discharge at different temperature



Cycle life in relation to DOD at 25°C



Temperature effects on capacity at 0.2C

